



Roam 1.0 Cart

3210GVC

Constructed of durable lightweight Aluminum, the Roam 1.0

Cart with Glass Doors can be optimized for individual storage solutions throughout hospitals.

Each column has 29 usable cells, 58 total. Hinged, locking double glass doors allow for easy viewing of supplies. Like all of the Solaire Medical product designs, the Roam 1.0 is manufactured and assembled in the United States.

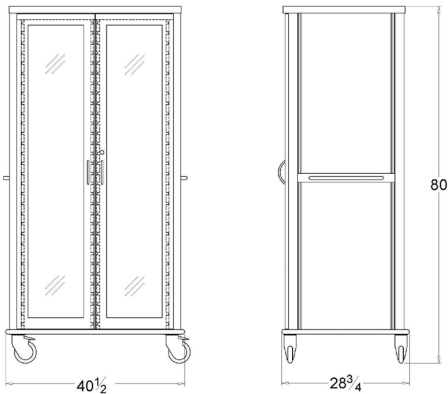
- 1** Built using a lightweight aluminum composite base and frame
- 2** Hinged Double Glass doors with aluminum extrusions
- 3** Durable FlexCell interior provides a modular storage system that accepts a wide range of trays, baskets and other storage accessories
- 4** Side mounted accessory rail system with full line of height adjustable exterior accessories
- 5** Easy grip push/pull stainless steel handle
- 6** 5" Medical Grade Casters
- 7** Center column can be removed to fit full width shelves
- 8** Carts come with standard key lock, keyless entry is available





Roam 1.0- 3210GVC

Contact your representative for the complete product offering and accessories for Roam Carts from Solaire Medical



Materials

Construction: Lightweight Aluminum

Frame: Lightweight Aluminum

Base: Durable High-Density Polyethylene

Bumper: Durable High-Density Polyethylene

Corner Extrusions: Lightweight Aluminum

Cell Panels: Durable ABS Plastic

Hinges: Dull Chrome Plated Steel

Door Pulls: Dull Chrome Plated Metal

Push Handles: Stainless Steel

Doors: Lightweight Aluminum/ Glass

Casters: Metal 5" Medical Grade Plate Caster

Locking System: Central locking system with key lock.

Dimensions

Exterior Dimensions
28.75"d x 40.5"w x 80"h

Interior Dimensions
23"d x 31.5"w x 69.5"h

Weight
197 lbs

Number of Cells
58 Usable FlexCell, 29 per side

Catheter Hanging Length
65.75" Maximum

Options

- Cart can be optimized for product specific storage
- Interior & side accessories are available. Accessories sold separately.
- Electronic (SKEHD) or Mechanical (SKEMD) Keyless entry are available
- Center column can be removed
- Optional aluminum colors available